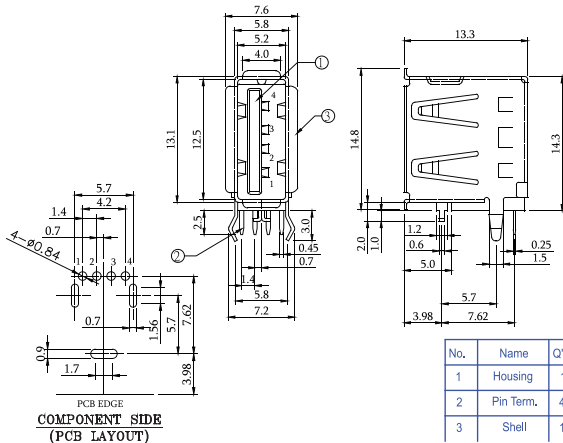


## USB Female Dip Upright A Type



Part No.:USB-001VF-A□-U

B:Black W:White

No.	Name	Q'ty	Material	Remarks & Thickness	Finish
1	Housing	1	Nylon 9T G.F.		White/Black
2	Pin Term.	4	PBS T:0,25	Ni:1-1.5u;Tin:3u; Gold:1-3u"	Gold/Tin Plated
3	Shell	1	Brass T:0.3	Ni:2-3u	Nickel Plated